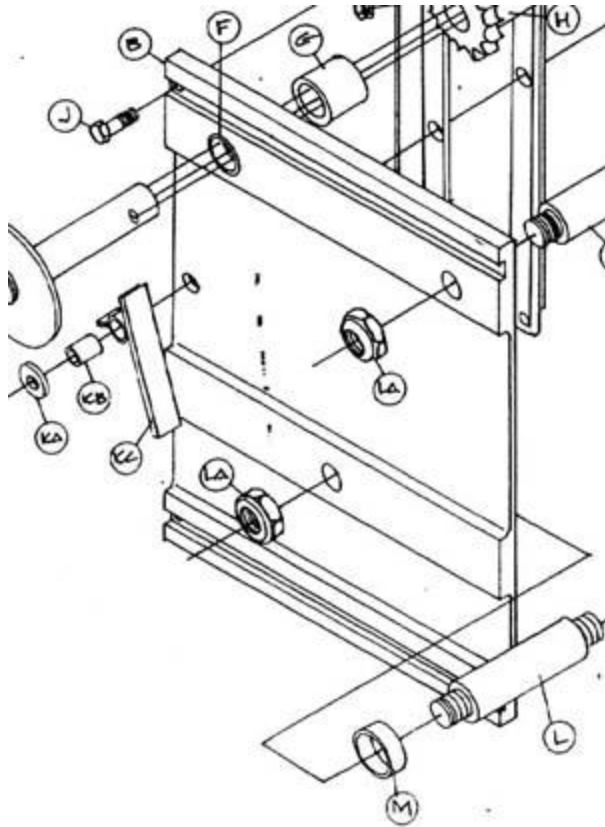
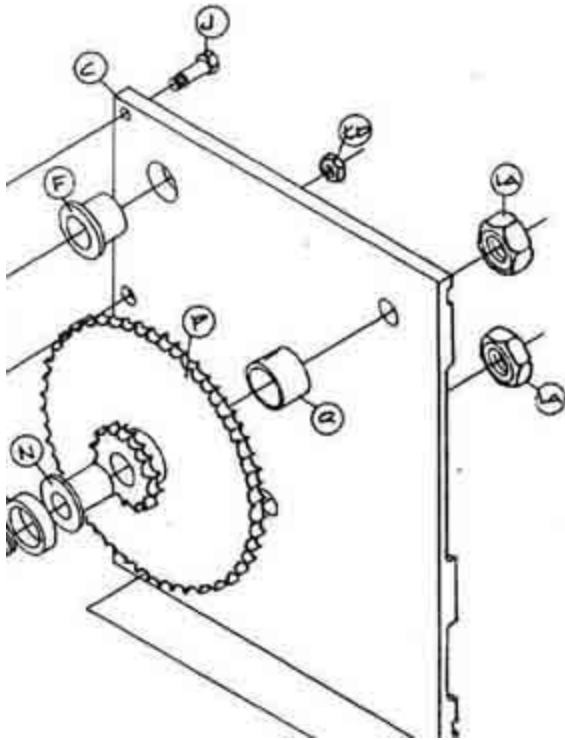


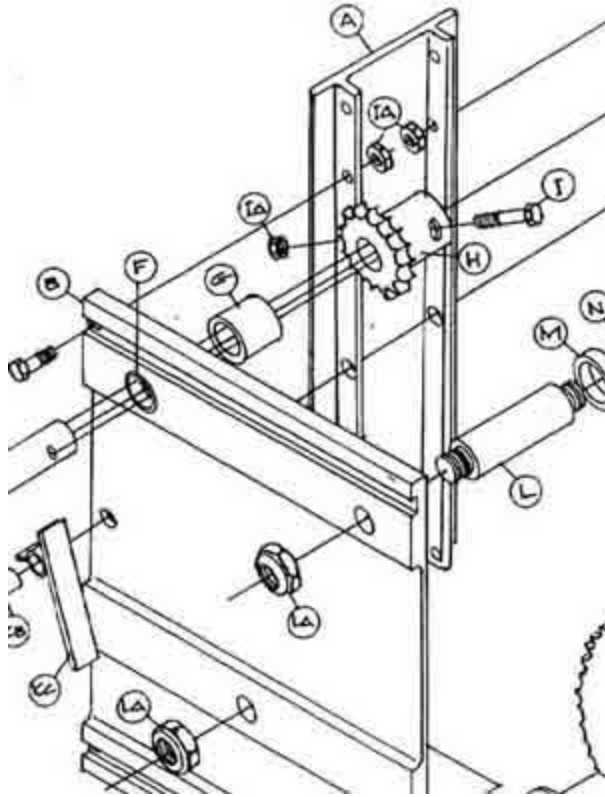
REF #	DESCRIPTION	Quantity	PART #
B	winch right side plate	1	winsideplate
D	wheel	1	whlacmecomplt
E	winch wheel shaft	1	winpwheelshft
EA	acorn nut 5/8	1	bolt5/8acorn
EB	5/8" flat washer	1	bolt5/8wash
EC	winch bronze thrust washer	1	winbrnzwsh
ED	winch clicker gear	1	win40A30sprkt
EF	winch clutch disc - large -	1	winclutchdisklg
J	3/8" x 1 1/4" bolt	4	bolt3/8x11/4
K	1/2" x 6 1/2" Bolt	1	1/2x61/2bolt
KA	1/2" flat washer	1	bolt1/2wash
KB	winch spacer for clicker	1	winpspcrclcr
KC	winch clicker	1	winpclicker



REF #	DESCRIPTION	Quantity	PART #
B	winch right side plate	1	winsideplate
F	winch flange bearing	2	winpflngbrg1x1
G	winch wheel shaft spacer	1	winpwhlshsp
H	winch wheel shaft sprocket	1	winp40B13x1skt
J	3/8" x 1 1/4" bolt	4	bolt3/8x11/4
KA	1/2" flat washer	1	bolt1/2wash
KB	winch spacer for clicker	1	winpspcrclcr
KC	winch clicker	1	winpclicker
L	winch gear shaft	2	winpgearshft
LA	3/4" fine thread nylock nut	4	bolt3/4finlnut
M	winch bronze spacer	2	winpA



REF #	DESCRIPTION	Quantity	PART #
C	winch left side plate	1	winsideplate
F	winch flange bearing	2	winpflngbrg1x1
J	3/8" x 1 1/4" bolt	4	bolt3/8x11/4
KD	1/2" nut	1	bolt1/2lnut
LA	3/4" fine thread nylock nut	4	bolt3/4finlnut
N	winch bronze flange bearing	2	winpFF1102
P	winch double sprocket	1	winpdblspkrt
Q	winch aluminum spacer	1	winpalumspr



REF # DESCRIPTION Quantity PART #

A winch base 1 winbase

B winch right side plate 1 winsideplate

F winch flange bearing 2 winpflngbrg1x1

G winch wheel shaft spacer 1 winpwhlshsp

H winch wheel shaft sprocket 1 winp40B13x1skt

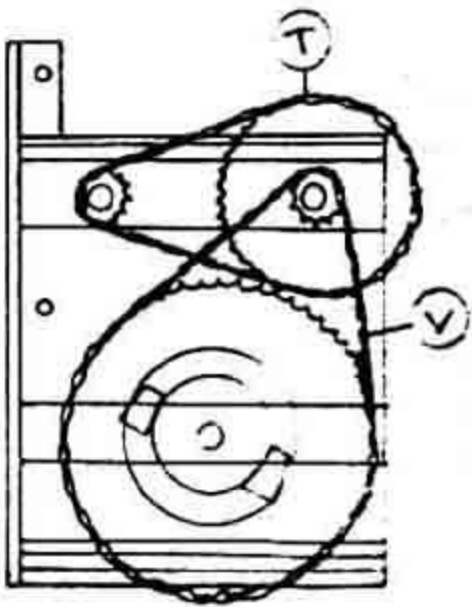
I 3/8" x 2" bolt 1 bolt3/8x2 IA 3/8" nut 5 bolt3/8nut

KC winch clicker 1 winpclicker

L winch gear shaft 2 winpgearshft

LA 3/4" fine thread nylock nut 4 bolt3/4finlnut

M winch bronze spacer 2 winpAA1108



REF #	DESCRIPTION	Quantity	PART #
T	short winch chain w/ master link	1	winchainshort
V	long winch chain w/ master link	1	winchainlong