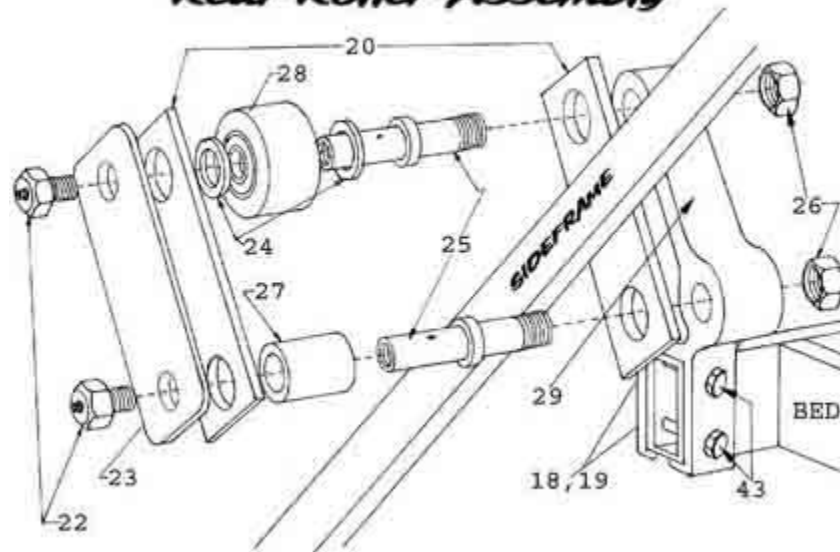


Rear Roller Assembly



REF #	DESCRIPTION	PART #
18	1/2 flat washer	bolt1/2wash
19	7/16 locknut	bolt7/16nylocknut
20	hme plastic wear pad	ehplstcwearpad
22	3/4 x 1 1/2 bolt with grease zerk	bolt3/4wgrszerk
23	hme roller plate	ehrollerplate
24	hme 1/8 x 1 1/2 od spacers	bolt1/64x11/2wsh
25	hme roller shaft	ehrollershaft
26	7/8 nut	bolt7/8nut
27	hme 1 1/4odx2 3/4 plastic spacer	ehplasticspacer
28	hme alum roller with bearing	ehalumrollbrng
29	hme roller extrusion	ehrollerextrsn
43	7/16 x 3 1/2 bolts	bolt7/16x31/2

