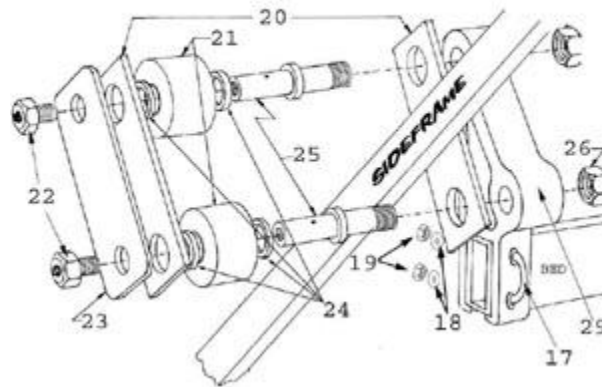


Front Roller Assembly



| REF # | DESCRIPTION | PART # |
|-------|----------------------------|-------------------|
| 15 | bed complete (hme15100) | ep15100bed |
| 15 | bed complete (hme20100) | ep20100bed |
| 15 | bed complete (hme30108) | ep30108bed |
| 15 | bed complete (hme[h]40114) | ep40114bed |
| 17 | 7/16x2 1/2x4 1/2 u-bolt | ubolt2040bed |
| 18 | 1/2 flat washer | bolt1/2wash |
| 19 | 7/16 locknut | bolt7/16nylocknut |

| | | |
|----|---|------------------|
| 20 | hme plastic wear pad | ehplstcwearpad |
| 21 | hme front plastic roller | ehfrontrroller |
| 22 | 3/4 x 1 1/2 bolt with grease zerck | bolt3/4wgrszerk |
| 23 | hme roller plate | ehrollerplate |
| 24 | hme 1/8 x 1 1/2 od spacers | bolt1/64x11/2wsh |
| 25 | hme roller shaft | ehrollershaft |
| 26 | 7/8 nut | bolt7/8nut |
| 29 | hme roller extrusion | ehrollerextrsn |
| 33 | pulley side assembly 3" | pullside3assy |
| | (hme 15100,20100,30108 and 40114 prior to 2002) | |
| 33 | pulley side assembly 3 1/2" | pullside31/2assy |
| | (hme[h]40114 - 2002 and newer) | |
| 35 | 3/8 shackles | hard3/8shackle |
| 36 | 3 1/2" pulley with bearing & bushing | pulley31/2wb&b |
| | (hme[h]40114 - 2002 and newer) | |
| 44 | winch cable with button stop 5/16x25' | ehwinclstp |
| 44 | winch cable - prior to '97 5/16 x 25' | ehwincl |
| 44 | winch cable w/ button stop 27' (hme[h]40114) | eh55winchcable |
| 44 | winch cable for DLB winches 1/4 x 25' | ehwincl1/4x25 |