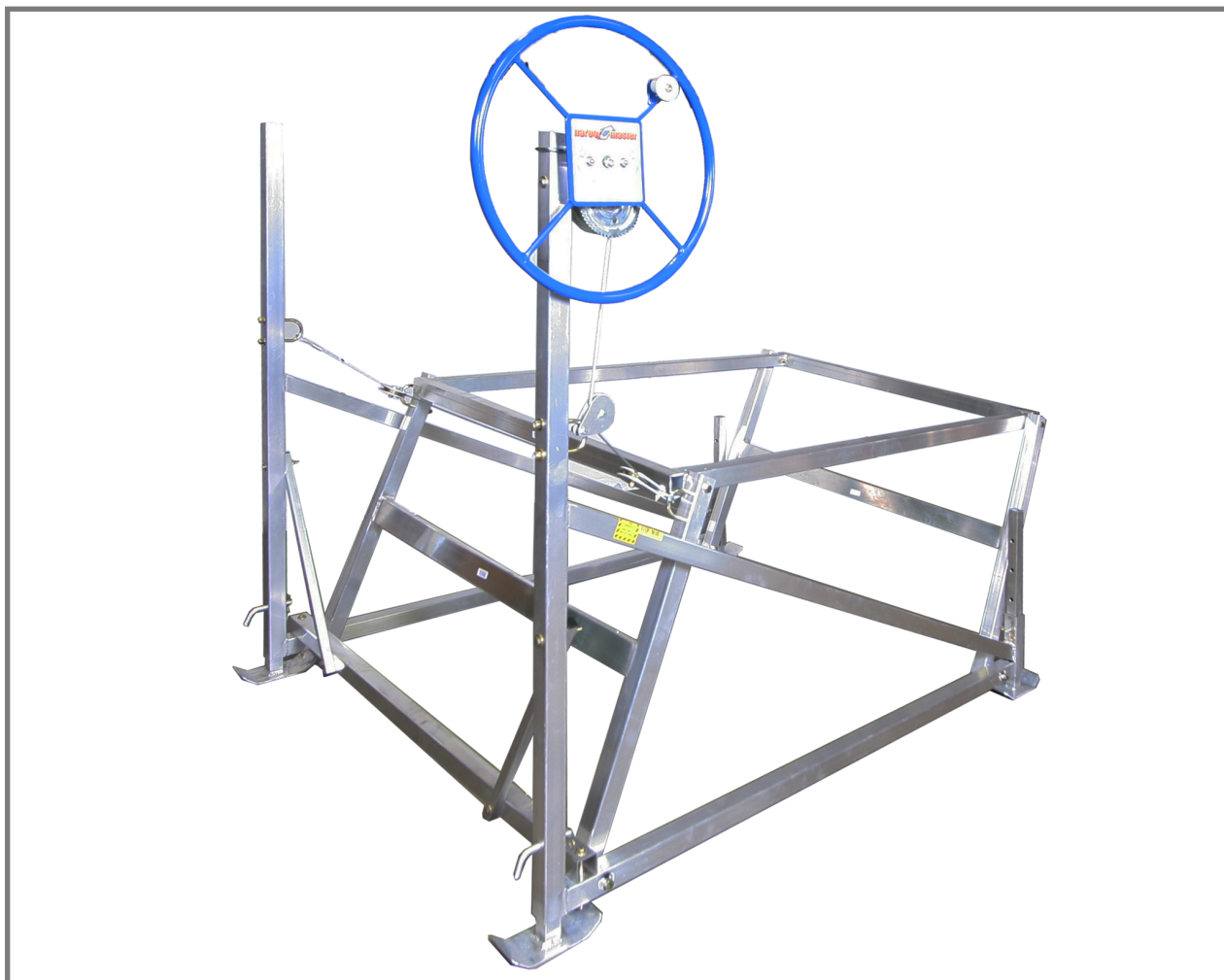

PW 1260-90

INSTRUCTIONS



PLEASE READ THROUGH ALL OF THE INSTRUCTIONS BEFORE BEGINNING. DETERMINE WHICH SIDE YOU WOULD LIKE THE WINCH ON PRIOR TO ASSEMBLY. IF POSSIBLE, ASSEMBLE THE LIFT ON A FLAT, LEVEL SURFACE. LIFT MUST BE LEVEL WHEN IT IS INSTALLED FOR THE LIFT TO OPERATE PROPERLY. EXTENSION LEGS ARE AVAILABLE FROM YOUR AUTHORIZED HARBOR MASTER DEALER. GREASE THE PULLEYS AND ROLLERS AFTER ASSEMBLY AND THROUGHOUT THE SEASON FOR BEST USE.

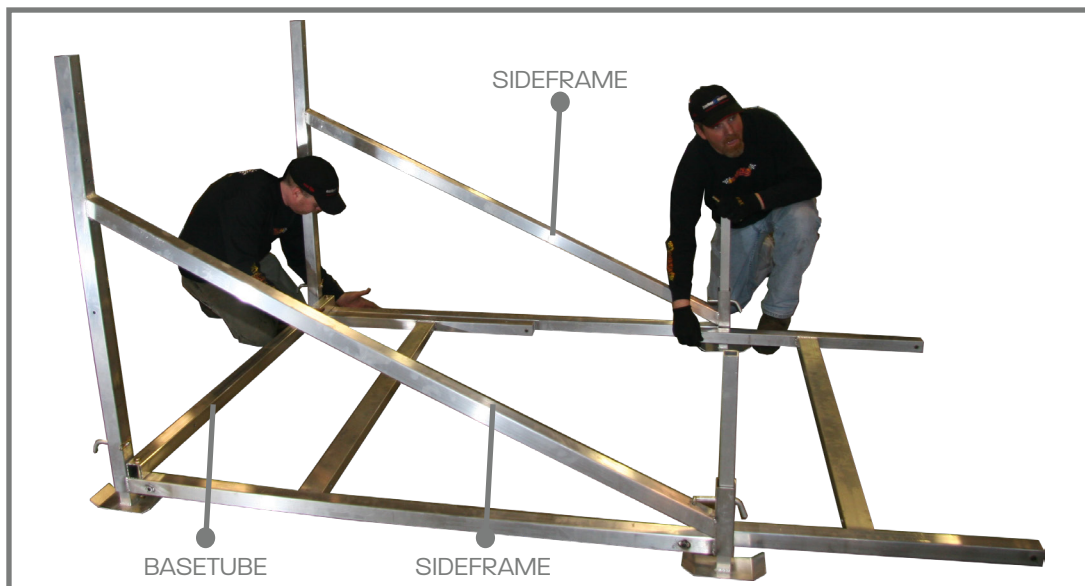
STEP 1:

INSERT THE LEGS INTO THE SIDEFAMES. USE LEG PIN & HAIR PIN RETAINER TO HOLD LEG INTO SIDEFAME. THIS GIVES YOU THE ABILITY TO ADJUST THE LEGS TO KEEP YOU LIFT LEVEL IN THE WATER.



STEP 2:

BOLT THE BASE TUBE TO THE SIDEFAMES USING THE 3/8" X 5" BOLTS WITH WASHERS ON BOTH SIDES.



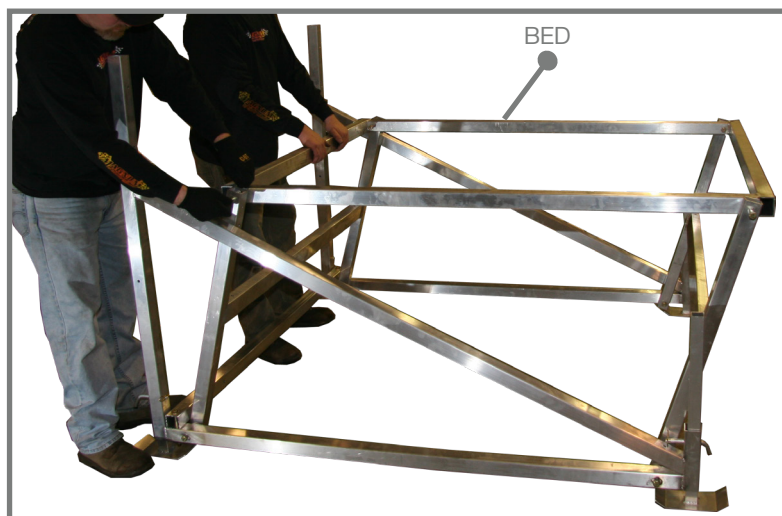
STEP 3:

BOLT THE H-FRAMES TO THE SIDEFAMES USING (4) 1/2" X 5-1/2" BOLTS WITH NYLON WASHER BETWEEN THE H-FRAME AND SIDEFAME. MAKE SURE THE FRONT H-FRAME HAS U-BOLT HOLES. DO NOT OVERTIGHTEN THE BOLTS. ENSURE THE H-FRAMES PIVOT FREELY.



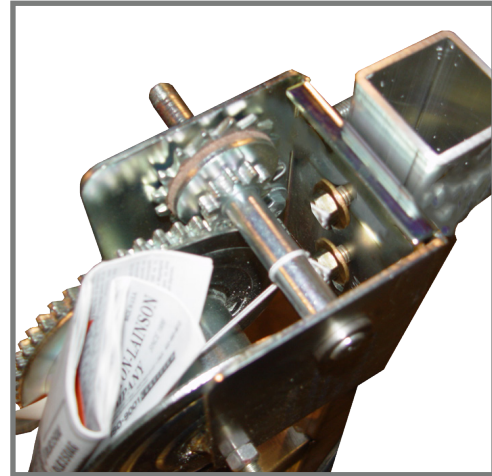
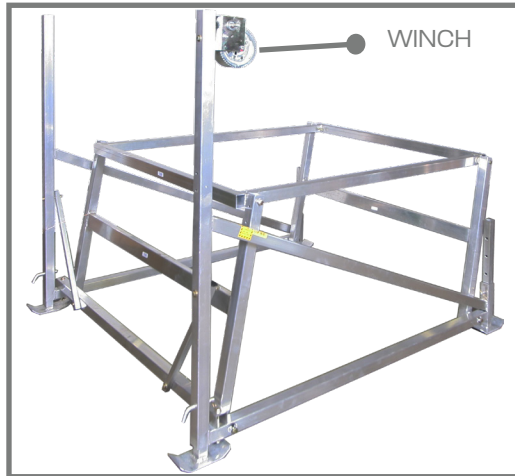
STEP 4:

BOLT THE BED TO THE H-FRAMES WITH (4) 1/2" X 5-1/2" BOLTS USING NYLON WASHERS BETWEEN THE BED AND H-FRAMES. DO NOT OVERTIGHTEN BOLTS. MAKE SURE THE BED PIVOTS FREELY.



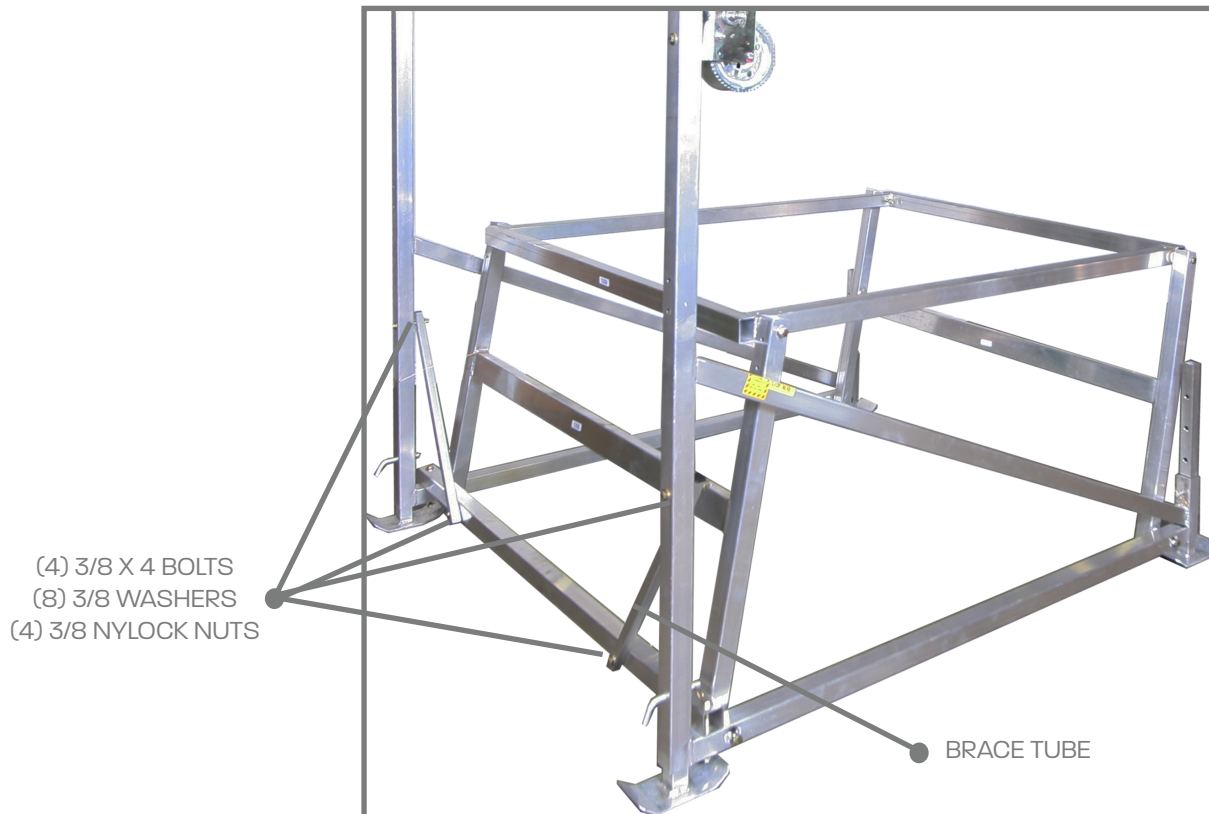
STEP 5:

BOLT THE WINCH TO THE SIDEFRADE USING THE 3/8" X 3" BOLT WITH WASHER, & THE SQUARE UBOLT WITH WASHERS.



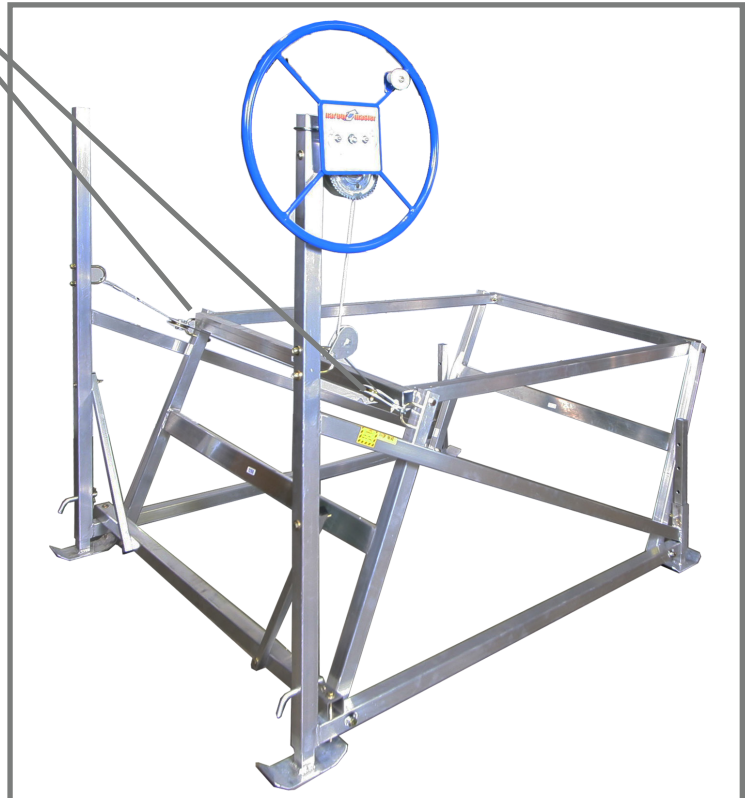
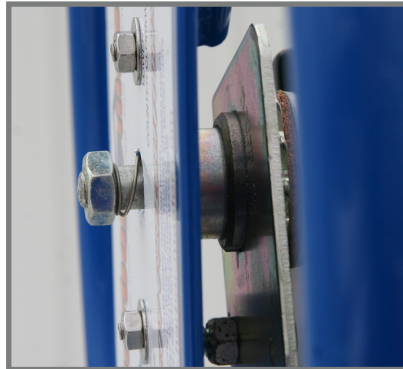
STEP 6:

BOLT THE BRACE TUBES TO THE SIDEFRADES USING (4) 3/8" X 4" BOLTS WITH WASHERS ON BOTH SIDES.



STEP 7:

- BOLT THE CABLE TO THE LIFT USING THE ROUND UBOLT AND WASHERS.
- BOLT THE PULLEYS TO THE H-FRAMES USING ROUND UBOLTS & LAP LINKS.
- BOLT THE PULLEY UNDER THE WINCH DIRECTLY TO THE ROUND UBOLT AND WASHERS.
- ONLY TIGHTEN THE NUTS ON THE UBOLTS SO 1 THREAD IS SHOWING PAST THE NUTS.
- MOUNT THE WHEEL TO THE WINCH WITH THE SPRING BETWEEN THE WHEEL AND THE OUTER NUT.
- ATTACH THE CABLE TO THE WINCH AS SHOWN IN THE WINCH MANUAL.
- BOLT HUB PLATE TO THE WHEEL WITH 5/16" X 3/4" BOLTS



STEP 8:

- BOLT THE BUNK UPRIGHTS TO THE INSIDE OF THE BED WITH THE SQUARE U-BOLTS WITHOUT WASHERS.
- FOR VINYL: USE 3/8" X 1" BOLTS AND 3/8" NUTS TO ATTACH BUNKS TO THE BUNK UPRIGHTS.
- FOR WOOD: POSITION BUNKS AND USE 3/8" HOLE THROUGH THE BUNKS AND USE 5/16" X 2-1/2" CARRIAGE BOLTS.
- START BUNK PLACEMENT BY SIMULATING THE POSITIONING OF YOUR TRAILER BUNKS.
- PLACE THE POST CAPS OVER THE POSTS.
- BOLT THE SPINNER KNOB TO WHEEL USING 3/8" SHOULDER BOLT.

